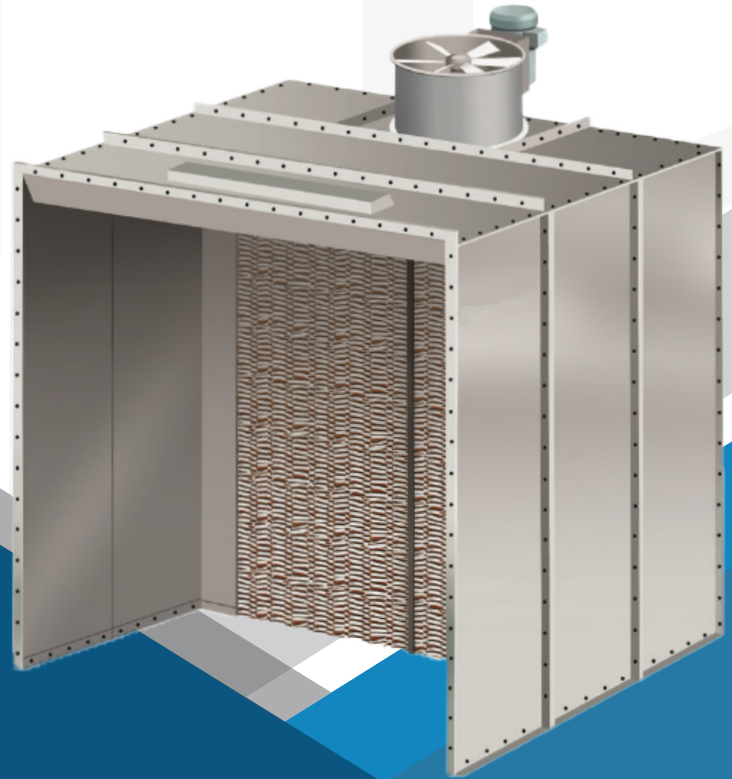




# INDUSTRIAL PAINT BOOTH SELECTION AND SIZE GUIDE



## LEADER IN ENGINEERED SOLUTIONS

Designed for both batch and conveyORIZED production systems, RTT's Open Front Paint Booths offer a safe and clean environment for any type of finishing operation. Our paint booths are designed with heavy duty construction utilizing simple and effective design elements. Airflow is drawn in through the open front, across the work area and exhausted through a filter bank in the back of the booth. The dry arrestor filters trap the airborne overspray particles before the filtered air is discharged through the exhaust system and into the atmosphere.

- Heavy Duty Bolted Construction
- Batch and Automated Production Designs
- Easy to Install
- ETL Certification Available
- Available in a wide range of designs to meet any production requirement

**10 Day Lead Time/Quick Ship ETL Options Available**

# BOOTH SPECIFICATIONS

| Model Number      | Interior Dimensions |          |          | Exterior Dimensions |          |          | Qty. Lights | Qty. Filters | Fan Diameter | Fan HP | SCFM @ 1/2" SP | Shipping Weight |
|-------------------|---------------------|----------|----------|---------------------|----------|----------|-------------|--------------|--------------|--------|----------------|-----------------|
|                   | Width               | Height   | Length   | Width               | Height   | Length   |             |              |              |        |                |                 |
| IB-04-07-05-00-S* | 4'-0"               | 7'-0"    | 5'-0"    | 4'-4"               | 7'-2"    | 7'-2"    | 0           | 8            | 18"          | .75HP  | 3,500          | 675             |
| IB-06-07-05-00-S* | 6'-0"               | 7'-0"    | 5'-0"    | 6'-4"               | 7'-2"    | 7'-8"    | 1           | 12           | 24"          | 1HP    | 5,250          | 940             |
| IB-08-07-05-00-S* | 8'-0"               | 7'-0"    | 5'-0"    | 8'-4"               | 7'-2"    | 7'-8"    | 1           | 16           | 24"          | 2HP    | 7,150          | 1,240           |
| IB-10-07-05-00-S* | 10'-0"              | 7'-0"    | 5'-0"    | 10'-4"              | 7'-2"    | 8'-2"    | 2           | 20           | 30"          | 2HP    | 8,750          | 1,630           |
| IB-12-07-07-00-S* | 12'-0"              | 7'-0"    | 7'-0"    | 12'-4"              | 7'-2"    | 10'-2"   | 2           | 24           | 30"          | 3HP    | 10,500         | 1,870           |
| IB-14-07-07-00-S* | 14'-0"              | 7'-0"    | 7'-0"    | 15'-0"              | 7'-6"    | 10'-8"   | 2           | 32           | 30"          | 3HP    | 12,250         | 2,450           |
| IB-16-07-07-00-S* | 16'-0"              | 7'-0"    | 7'-0"    | 17'-0"              | 7'-6"    | 10'-8"   | 2           | 36           | 30"          | 5HP    | 14,000         | 2,650           |
| IB-18-07-07-00-S* | 18'-0"              | 7'-0"    | 7'-0"    | 19'-0"              | 7'-6"    | 11'-8"   | 3           | 40           | 36"          | 5HP    | 15,750         | 3,000           |
| IB-20-07-07-00-S* | 20'-0"              | 7'-0"    | 7'-0"    | 21'-0"              | 7'-6"    | 11'      | 4           | 44           | 36"          | 5HP    | 17,500         | 3,000           |
| IB-04-08-05-00-S* | 4'-0"               | 8'-0"    | 5'-0"    | 4'-4"               | 8'-2"    | 7'-2"    | 0           | 8            | 18"          | 1HP    | 4,000          | 703             |
| IB-06-08-05-00-S* | 6'-0"               | 8'-0"    | 5'-0"    | 6'-4"               | 8'-2"    | 7'-8"    | 1           | 12           | 24"          | 1.5HP  | 6,000          | 1,020           |
| IB-08-08-05-00-S* | 8'-0"               | 8'-0"    | 5'-0"    | 8'-4"               | 8'-2"    | 7'-8"    | 1           | 16           | 24"          | 3HP    | 8,000          | 1,490           |
| IB-10-08-05-00-S* | 10'-0"              | 8'-0"    | 5'-0"    | 10'-4"              | 8'-2"    | 8'-2"    | 2           | 20           | 30"          | 3HP    | 10,000         | 1,780           |
| IB-12-08-07-00-S* | 12'-0"              | 8'-0"    | 7'-0"    | 12'-4"              | 8'-2"    | 10'-2"   | 2           | 24           | 30"          | 3HP    | 12,000         | 2,270           |
| IB-14-08-07-00-S* | 14'-0"              | 8'-0"    | 7'-0"    | 15'-0"              | 8'-6"    | 10'-8"   | 2           | 32           | 30"          | 5HP    | 14,000         | 2,600           |
| IB-16-08-07-00-S* | 16'-0"              | 8'-0"    | 7'-0"    | 17'-0"              | 8'-6"    | 11'-8"   | 2           | 36           | 36"          | 5HP    | 16,000         | 2,810           |
| IB-18-08-07-00-S* | 18'-0"              | 8'-0"    | 7'-0"    | 19'-0"              | 8'-6"    | 11'-8"   | 3           | 40           | 36"          | 5HP    | 18,000         | 3,150           |
| IB-20-08-07-00-S* | 20'-0"              | 8'-0"    | 7'-0"    | 21'-0"              | 8'-6"    | 11'-8"   | 4           | 44           | 42"          | 5HP    | 20,000         | 3,690           |
| IB-04-10-05-00-S* | 4'-0"               | 10'-0"   | 5'-0"    | 4'-4"               | 10'-2"   | 7'-2"    | 0           | 10           | 18"          | 1.5HP  | 5,000          | 1,100           |
| IB-06-10-05-00-S* | 6'-0"               | 10'-0"   | 5'-0"    | 6'-4"               | 10'-2"   | 7'-8"    | 1           | 15           | 24"          | 2HP    | 7,500          | 1,650           |
| IB-08-10-05-00-S* | 8'-0"               | 10'-0"   | 5'-0"    | 8'-4"               | 10'-2"   | 8'-2"    | 1           | 20           | 30"          | 3HP    | 10,000         | 1,900           |
| IB-10-10-05-00-S* | 10'-0"              | 10'-0"   | 5'-0"    | 10'-4"              | 10'-2"   | 8'-2"    | 2           | 25           | 30"          | 3HP    | 12,500         | 2,350           |
| IB-12-10-07-00-S* | 12'-0"              | 10'-0"   | 7'-0"    | 12'-4"              | 10'-2"   | 10'-2"   | 2           | 30           | 30"          | 5HP    | 15,000         | 2,500           |
| IB-14-10-07-00-S* | 14'-0"              | 10'-0"   | 7'-0"    | 15'-0"              | 10'-6"   | 11'-8"   | 2           | 40           | 36"          | 5HP    | 17,500         | 3,000           |
| IB-16-10-07-00-S* | 16'-0"              | 10'-0"   | 7'-0"    | 17'-0"              | 10'-6"   | 11'-8"   | 2           | 45           | 42"          | 5HP    | 20,000         | 3,400           |
| IB-18-10-07-00-S* | 18'-0"              | 10'-0"   | 7'-0"    | 19'-0"              | 10'-6"   | 11'-8"   | 3           | 50           | 42"          | 5HP    | 22,500         | 4,000           |
| IB-20-10-07-00-S* | 20'-0"              | 10'-0"   | 7'-0"    | 21'-0"              | 10'-6"   | 11'-8"   | 4           | 55           | 42"          | 7.5HP  | 25,000         | 4,400           |
| IB-04-12-05-00-S  | 4'-0"               | 12'-0"   | 5'-0"    | 4'-4"               | 12'-2"   | 7'-8"    | 0           | 12           | 24"          | 1.5HP  | 6,000          | 975             |
| IB-06-12-05-00-S* | 6'-0"               | 12'-0"   | 5'-0"    | 6'-4"               | 12'-2"   | 7'-8"    | 1           | 18           | 24"          | 3HP    | 9,000          | 1,500           |
| IB-08-12-05-00-S* | 8'-0"               | 12'-0"   | 5'-0"    | 8'-4"               | 10'-2"   | 8'-2"    | 1           | 24           | 30"          | 3HP    | 12,000         | 1,700           |
| IB-10-12-05-00-S* | 10'-0"              | 12'-0"   | 5'-0"    | 10'-4"              | 12'-2"   | 8'-2"    | 2           | 30           | 30"          | 5HP    | 15,000         | 2,200           |
| IB-12-12-07-00-S* | 12'-0"              | 12'-0"   | 7'-0"    | 12'-4"              | 12'-2"   | 11'-2"   | 2           | 36           | 36"          | 5HP    | 18,000         | 2,500           |
| IB-14-12-07-00-S* | 14'-0"              | 12'-0"   | 7'-0"    | 15'-0"              | 12'-6"   | 11'-8"   | 2           | 48           | 42"          | 5HP    | 21,000         | 3,200           |
| IB-16-12-07-00-S* | 16'-0"              | 12'-0"   | 7'-0"    | 17'-0"              | 12'-6"   | 11'-8"   | 2           | 54           | 42"          | 7.5HP  | 24,000         | 3,500           |
| IB-18-12-07-00-S* | 18'-0"              | 12'-0"   | 7'-0"    | 19'-0"              | 12'-6"   | 11'-8"   | 3           | 60           | 42"          | 7.5HP  | 27,000         | 4,100           |
| IB-20-12-07-00-S* | 20'-0"              | 12'-0"   | 7'-0"    | 21'-0"              | 12'-6"   | 11'-8"   | 4           | 66           | 42"          | 10HP   | 30,000         | 4,700           |
| <b>Ref. Key</b>   | <b>A</b>            | <b>B</b> | <b>C</b> | <b>D</b>            | <b>E</b> | <b>F</b> |             |              |              |        |                |                 |

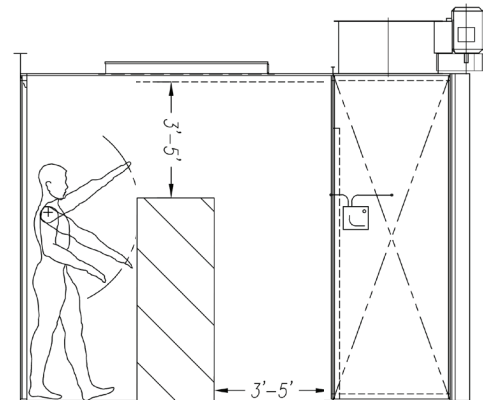
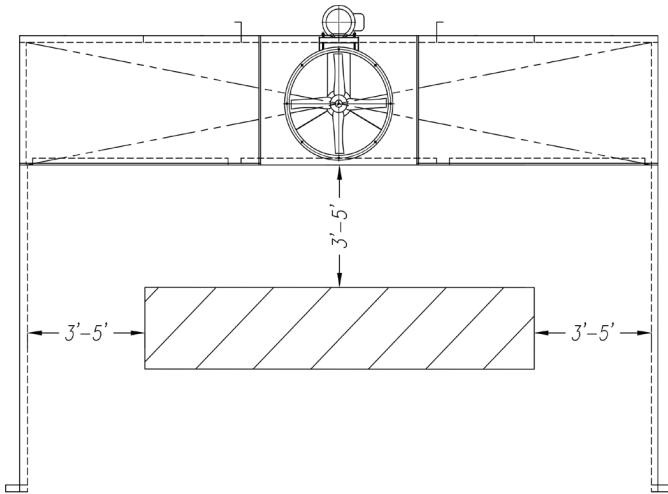
1 Ft, 2.5 Ft, 5 Ft Booth Extensions Available

\*10 DAY DELIVERY FOR STANDARD PRODUCTS

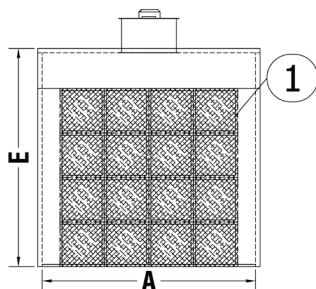
- 18 gauge galvanized steel & bolted together
- Durable powder coated white option available
- Air solenoid valve
- High efficiency arrestors
- Industry leading lighting
- Meet and/or exceed all applicable OSHA and NFPA Regulations
- Open Fronts designed for 125 FPM to Allow for Easy

# BOOTH SIZING

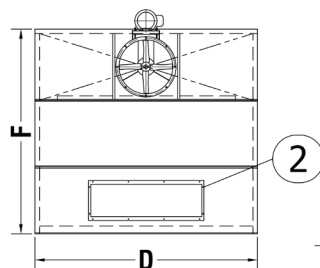
When determining the size of spray booth required for a specific application, you must take into consideration the size of the largest part that will be coated. Add a minimum of 3 feet (preferably 5 feet) to each side of the part to allow room for the painter to maneuver. Custom spray booths can be built to accommodate any size of part. However, if you can find a standard sized booth to accommodate the desired part, it will offer a more cost effective solution with a faster delivery time.



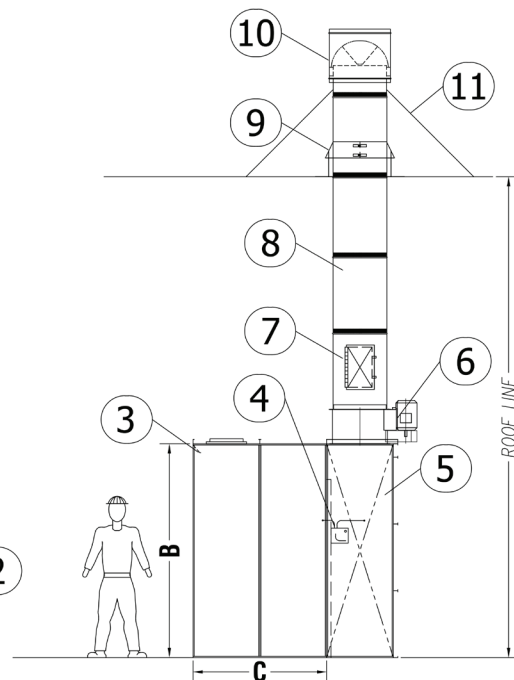
- 1- FILTRATION MEDIA
- 2- LIGHT FIXTURE
- 3- FIRE CURTAIN
- 4- MANOMETER
- 5- EXHAUST CHAMBER
- 6- TUBEAXIAL FAN
- 7- PIPE WITH CLEANOUT DOOR
- 8- PLAIN EXHAUST PIPE
- 9- ROOF FLASHING/CURB
- 10- AUTOMATIC ROOF VENTILATOR
- 11- GUY WIRE KIT
- 12 AIR SOLENOID VALVE (NOT SHOWN)



FRONT VIEW



PLAN VIEW



SIDE ELEVATION

## BOOTH SUPPLIES

The quality and workmanship of RTT spray booths allow us to be the only Spray Booth Manufacturer to offer a Five (5) Year Warranty\* provided the customer utilizes our RTT high performance RP “W-Series” exhaust filters. These filters have been designed, tested and approved to provide superior paint particle separation while restricting the least amount of air flow in accordance with ASHRAE 52.1.

**The RTT RP W-Series, filters available in both pad and roll, form have been designed to perform well in a wide variety of applications.**

### 5000 W-SERIES

HIGH EFFICIENCY  
RP ARRESTORS



The 5000 series arrestor performs best with a slightly tacky or wet overspray.

### 5100 W-SERIES

ULTRA EFFICIENCY  
RP ARRESTORS



The 5100 series performs well with low viscosity, wet overspray. However, even dry and dusty overspray are efficiently arrested with this media.

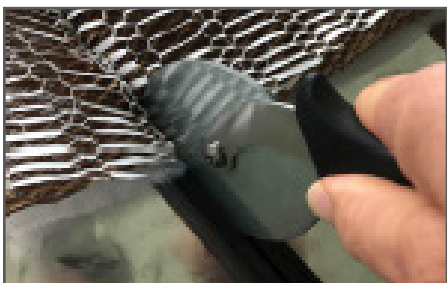
### 5200 W-SERIES

HIGH EFFICIENCY  
RP ARRESTORS



The 5200 series high capacity media works best in high production environments and performs well with wet and tacky or dry and dusty overspray.

## FilterLoc



RTT's new FilterLoc filter management system provides a tighter seal to the booth eliminating overspray bypass into the exhaust chamber and allows the utilization of roll media, reducing overall cost.

### INTAKE FILTERS



The tacky intake panels are designed as an economical solution for cross draft intake air filtration in spray booths. They are designed to meet a quality level of filtration, while are still economically friendly. These filters are universal in all enclosed RTT spray booths.

### BOOTH PAPER



Safe, economical and easy to use, flame retardant kraft coverings are suitable for most spray operations with moderate to heavy foot and machinery traffic. Rolls come in 300" lengths in 36", 42", 60" and 72" widths.

Please Note (\*): The utilization of spray booth exhaust filters other than the RTT RP W-Series filters will reduce the RTT spray booth and AMU warranty period to one (1) year. Temperature and humidity controlled systems do not qualify for the 5-year warranty. Please contact your local distributor or RTT if you have any questions regarding this program. RTT reserves the right to deny warranty claims if proper booth maintenance is not performed. This warranty is for parts only. Labor is not included. This warranty is not transferrable.

## BOOTH OPTIONS & ACCESSORIES



### DURABLE POWDER COATED WHITE OPTION AVAILABLE

Powder coating is a high quality finish that provides a more durable and attractive finish. Your paint booth will be more resistant to scratches, chips, abrasions, corrosion, fading and other wear issues.



### E-LIGHT LED LIGHTS & RETRO KITS

RTT's E-Light LED lights offer many advantages to fluorescent lamps such as improved durability, an exceptionally longer life span, lower energy usage, reduced maintenance costs and higher safety. Dimmable options available.



### BASIC CONTROL PANEL

Motor starters are our most basic and cost-effective option to easily operate the fan on your booth. The motor starter is pre-wired in a NEMA 1 enclosure and is equipped with an adjustable solid-state overload relay and a 4-pole 23-amp contactor. Motor starters can be set up for just about any voltage, phase and HP configuration needed for your application.



### TOUCH SCREEN & PLC BASED CONTROLS

RTT offers touch screen controls for our batch ovens, paint booths and powder collectors, allowing for simple operation of your equipment. There are (3) size options to choose from as well as expandable input and outputs, on screen pressure monitoring, precise system information, built-in hour meters, and ethernet communications.



### EXHAUST DUCTWORK

We offer High-quality 18 gauge galvanized steel ductwork and other needed accessories to properly exhaust your finishing equipment. The components come in a wide variety of configurations depending on your paint booth structure and features. Our ductwork construction provides superior protection against destructive elements including corrosion and rust.



### FILTERED BOOTH DOORS

Fabricated with a tubular steel frame and hung on structural channel jambs, the doors feature integral filter holding cells ready for filter placement. These doors are provided with a foam rubber seal around the perimeter and a rubber sweep seal at the threshold. The mounting hardware provided includes FM approved panic type safety latches and door pulls.

CONTACT US FOR A FULL LIST OF PAINT BOOTH  
OPTIONS AND ACCESSORIES

**888-452-6684**

# REQUEST FOR QUOTE

## INDUSTRIAL BOOTH QUOTE

Get a quote from RTT Engineered Solutions. Fill out the form below, take a photo, and send it to [sales@rttsolutions.com](mailto:sales@rttsolutions.com).

### Contact Information:

First Name:

Last Name:

Company Name:

Email:

Phone:

### Shipping Information:

Street Address:

City:

State:

Zip:

Country:

## BOOTH SPECIFICATIONS

### Inside Working Dimensions (ft):

Width:  Height:  Length:

## FACILITY SPECIFICATIONS

Ceiling Height(ft):  Roof Pitch:

Electrical Supply:  115V (120V)  200V (208V)  230V (240V)  460V (480V)  575V (600V)

Electrical Phase:  Single  Three Electrical Hertz:  50Hz  60Hz

## EXHAUST FILTRATION PRODUCTS

Filtration Type:  Roll  Pad Filtration Series:  5000 Series  5100 Series (standard)  5200 Series Qty:

## EQUIPMENT UPGRADES

Booth Finish:  Galvanized:  Powder Coated White Filtered Booth Doors:  Yes  No

Add Booth Paper:  36"  42"  60"  72"

LED Lighting:  Yes  No Touch Screen Controls:  Yes  No